



# Disposable Paper Tableware Lamination Machine

## 食品容器用紙淋膜機

High Precision & High Output! 精密！高產能！自動化！  
Fully Automation!



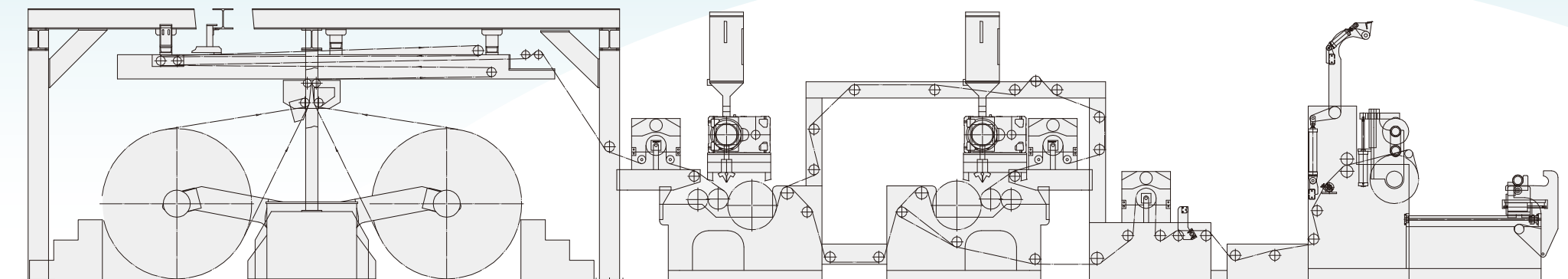
MODEL NO: **LM110-18SD**

# Disposable Paper Tableware Lamination Machine

## 食品容器用紙淋膜機

MODEL NO: LM110-18SD

### Machine Flow Chart (機械流程圖)



Specifications	規格	Model No. 型號 LM110-18SD
Extrusion Resin	押出原料	LDPE & PP
Substrate	淋膜基材	Food Paper 食品級容器用紙
Screw Diameter	螺桿直徑	Ø110 mm
Screw L/D	螺桿長徑比	32 : 1
Lamination Width	淋膜寬度	1,800 mm Double-Side 雙面淋膜
Lamination Thickness	淋膜厚度	0.012-0.04 mm
Extrusion Output	押出量	300 kg/hr
Max. Line Speed	最高生產線速	200 m/min
Machine Dimensions (LxWxH)	機械尺寸 (LxWxH)	19m x 9.6m x 3.6m

■ All specifications, design and characteristics shown above are subject to change without prior notice.

 **NANDA** 南大精密機械有限公司  
NANDA PRECISION MACHINERY CO., LTD.



SCAN NOW !!

No.13-25, Guanliao, Anding Dist.,  
Tainan City 745, Taiwan  
台南市安定區管寮里13-25號

T +886-6-592 0556-7

F +886-6-592 0558

E [nandaltd@hibox.hinet.net](mailto:nandaltd@hibox.hinet.net)

W [www.nandaltd.com](http://www.nandaltd.com)